

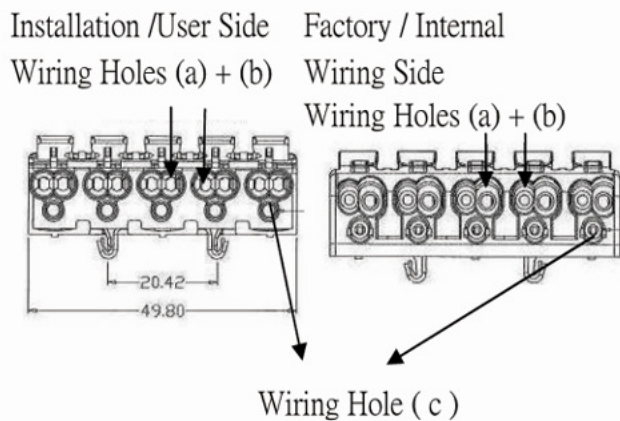
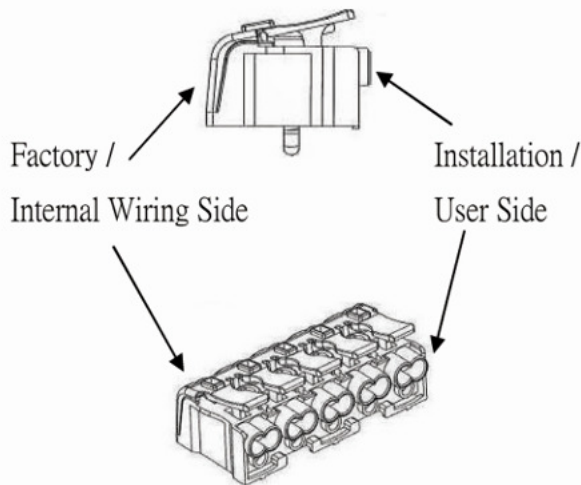
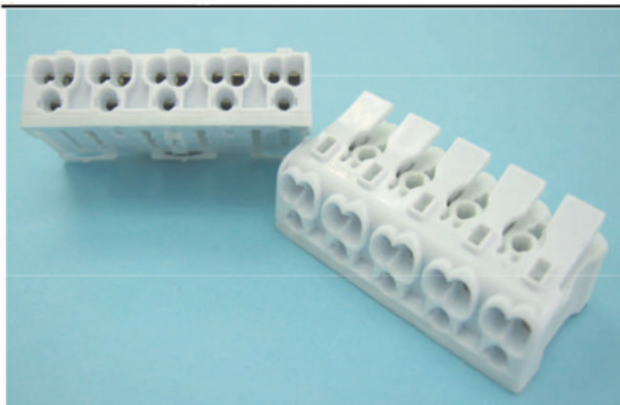
## Luminaire Pushwire Connector

5 - pole

P02 - 5 series



- Comply with IEC/EN60998-2-2
- Pushwire "Quick-Connection"
- Easy mounting (with 'fixing - snaps')
- Printing on Press-release Button: upon user's requirement



### Specification

Housing : Polyamide 66

Metal Part : Plated Brass / Steel spring

Voltage (V) 450

Ampere (A) 10 (for operation)

### Wiring Capacity (mm<sup>2</sup>) :

	Wiring Holes (a) + (b)	Wiring Hole (c)
Installation / User-side (with press-release button)	0.5 - 2.5	0.5 - 0.75
Factory / Internal - side (without press-release button)	0.5 - 1.5	0.5 - 0.75
	solid only	solid only

### Packing Details

400 pcs per exp ctn

### Product Code

P02 - 5 /9

- GL : Earthing Plate
- GT : Quick-Earthing Snap
- Blank : No fixing-snaps
- J : With fixing-snaps

\* Standard marking on buttons (3/N/E/1/2)

For other marking on buttons, pls contact us for arrangement.